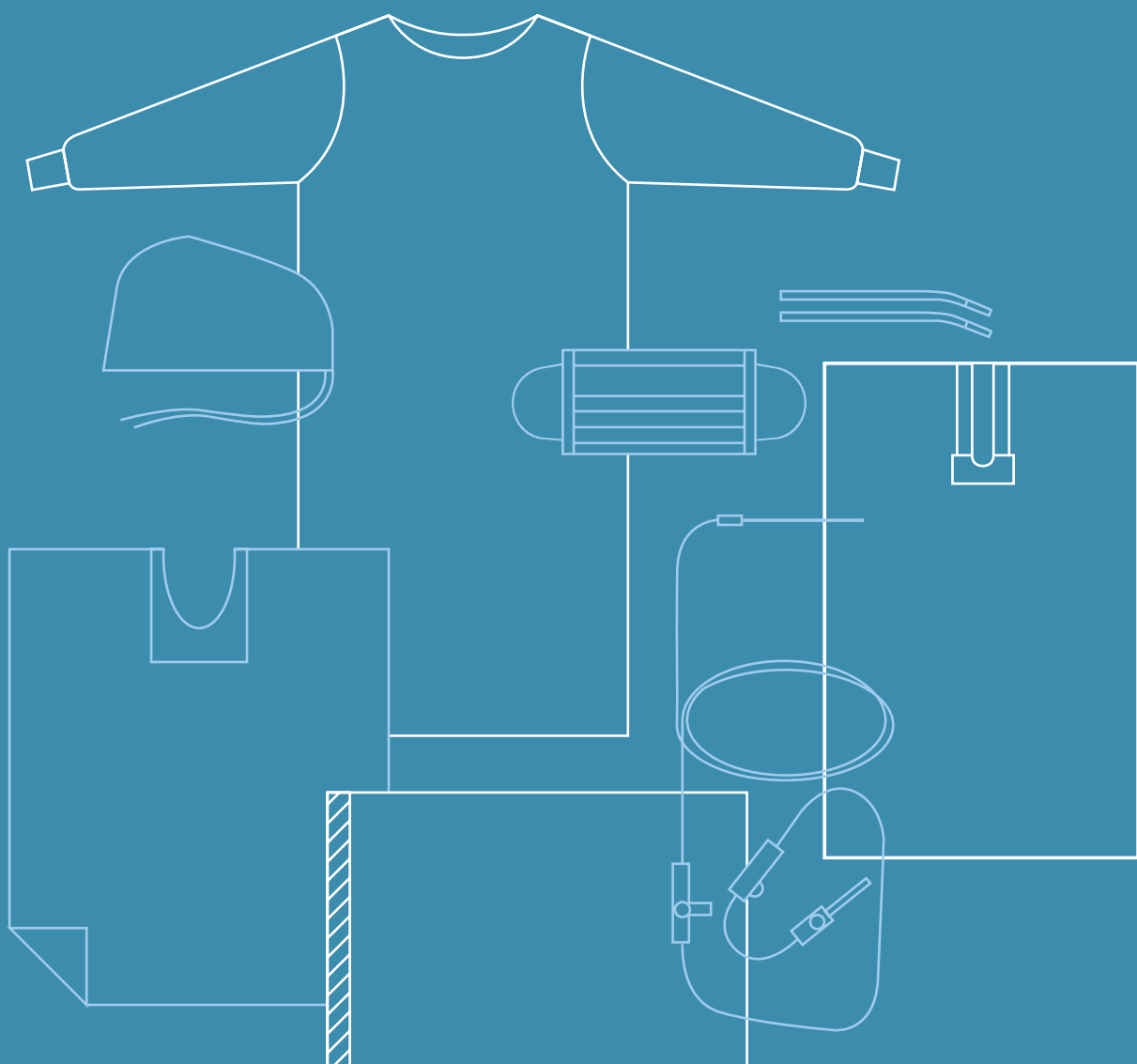


# Euronda Alle<sup>®</sup>

EN

Your surgical field  
Simply perfect



# Euronda<sup>®</sup>

Alle

# Euronda®

## It's all about protection

Founded in 1975, Euronda is now an Italian company with a global outlook, synonymous with outstanding protection in the medical field. With more than 200 employees, a 15,000 sq.m. headquarters, 4 subsidiaries abroad and affiliates worldwide, it is present on the market with 4 product lines dedicated to the safety of the dental environment and the protection of professionals, dentists and patients.

**Monoart®**, the range of disposable products that teams maximum quality with vibrant colours. **Pro System**, the comprehensive sterilization system that optimises and tracks the entire process. **Alle®**, the disposable line to create a sterile surgical field and prevent infection. **Eurosteril®**, rolls and pouches that ensure sterility is maintained over time.

Driven by a dynamic team, Euronda combines in-depth knowledge of the market with ongoing innovation in materials, processes and technologies to meet the needs of the sector and optimize work phases in full compliance with regulations, with particular attention to the environmental impact of the products and processes.



# Index

## Sterile sets

8	Patient Set
9	Doctor Set
10	Doctor Set Pure
11	Assistant Set
12	Surgery Set
13	Implant Set
14	Base Set
15	Protection Set
15	Drapes Set

---

## Gowns

18	Spunlace gown
20	SMS microfiber gown
22	Standard gown
24	SMS microfiber surgical pyjama

---

## Other items of protection

28	Face masks Protection 3
29	Face masks Protection Soft
30	Face masks Protection 4
31	Face masks Protection Sensitive
32	Spunlace cap
32	Round cap with elastic
33	Bandana
33	Cap with ties at the back
34	Clinical Cap
35	Contemporary glasses
36	FitUp glasses
37	Cube glasses
38	Operator Visor
40	Latex gloves
41	Waterproof shoe covers
42	Dry surgical scrub brush
43	Chlorhexidine surgical scrub brush

---

## Sterile drapes

46	Drapes for Mayo and Instrument tables
47	Surgical drapes
48	Standard drapes Pure
49	Surgical drapes with adhesive side
50	Drape with central adhesive opening
51	Drape with off-centre adhesive opening
52	Drape with U cut without adhesive
53	Drape with U cut and adhesive
54	Drape with U cut without adhesive and adhesive point
55	Spunlace drape
56	Spunlace drape with no panic window

## Sterile and non-sterile protective products

60	All-purpose bag for radiographic systems
60	Medical adhesive
61	Transparent drapes with adhesive
62	Barrier film
63	Adhesive film
64	Tubing sleeve with inserter
65	Tubing sleeve with adhesive fixing tapes
66	Turbine cover
67	Decontamination mat
68	Dentist chair cover
68	Headrest Cover

---

## Sterile irrigation lines

72	Mechanical irrigation lines
74	Manual irrigation line

---

## Aspiration systems

78	Surgical aspirators
78	Surgical aspirator tip
79	EM40 aspirator tips
79	EM19 and EM21 aspirator tips

---

## Other products

82	Instant ice
83	Sterilization rolls
84	Gusseted sterilization rolls
85	Sterilization pouches
86	Helix Test
86	Bowie & Dick Test
87	Prion Test



# Euronda Alle<sup>®</sup>

Your surgical field  
Simply perfect

Alle<sup>®</sup> is the line of disposable products designed specifically to create a sterile and uncontaminated surgical field for dental procedures, and to prevent the risk of infection.

Alle<sup>®</sup> is a comprehensive line of products aimed at providing dental clinics with the high standards of protection required in operating rooms.





# Alle<sup>®</sup> sterile sets

## Totally safe and practical for all your needs

A complete line of single-use, sterile sets for the protection of dentists, assistants and patients, and for the preparation of surgical fields. These sets have been carefully designed to respond effectively to the needs of all dental surgical operations. The contents of the sets vary based on the type of procedure and consist of multiple sterile products packaged in order of use. These sets satisfy requirements for a variety of procedures, in particular there are four sets designed for gowning, two sets for implantology, two for preparing your operating field, and one that contains every tool needed to deal with any type of surgery.



### **Comprehensive**

The Euronda Alle<sup>®</sup> sets satisfy individual needs for all kinds of surgery.



### **Practical**

Contents are organised in a practical way and components are arranged in order of use.



### **Efficient**

The sterile sets significantly reduce the time needed to set up your operating field and make it easy to manage your purchases.

# Patient Set

## Comfort and protection for patients undergoing surgery



Sterile apparel for your patient. A set designed for gowning patients undergoing all types of implant, periodontal, dental surgery and maxillofacial procedures.



### Classification

Medical Device Class Is



### Packaging

Packed in a sterile medical blister pack with a double adhesive label. The components are individually folded and wrapped in medical paper



### Sterility

Sterility guaranteed for 59 months from the date of production

CE Ref	Content	Size	Material	Pieces
270101	Standard gown with elastic cuffs	One size	NWF	1
	Round cap with elastic	One size	NWF	1
	Waterproof shoe covers	One size	CPE	2

# Doctor Set

## A barrier system for everyday procedures



A sterile kit for routine procedures. Set designed specially with the dentist in mind, for brief and medium-length procedures. It contains a gown in SMS microfiber, guaranteeing greater comfort for professionals.



### Classification

Medical Device Class Is



### Packaging

Packed in a sterile medical blister pack with a double adhesive label. The components are individually folded and wrapped in medical paper



### Sterility

Sterility guaranteed for 59 months from the date of production

CE Ref	Content	Size	Material	Pieces
270126	SMS microfiber gown	Size L	SMS	1
	Cap with ties at the back	One size	NWF	1
	Monoart® face mask Protection 3	One size	NWF	1
	Waterproof shoe covers	One size	CPE	2

# Doctor Set Pure

## Safe and protection for the operator



A sterile kit for everyday procedures. Set designed specially with the operator in mind, for brief length procedures.



### Classification

Medical Device Class Is



### Packaging

Packed in a sterile medical blister pack a with a double adhesive label. The components are individually folded and wrapped in medical paper



### Sterility

Sterility guaranteed for 59 months from the date of production

CE Ref	Content	Size	Material	Pieces
270102	Standard gown with elastic cuffs	One size	NWF	1
	Cap with ties at the back	One size	NWF	1
	Monoart® face mask Protection 3	One size	NWF	1
	Waterproof shoe covers	One size	CPE	2

# Assistant Set

## Safe and practical for your surgical team



Perfect for aiding professionals in total safety. Specially designed to be used by assistants for short and medium-length procedures.



### Classification

Medical Device Class Is



### Packaging

Packed in a sterile medical blister pack a with a double adhesive label. The components are individually folded and wrapped in medical paper



### Sterility

Sterility guaranteed for 59 months from the date of production

CE Ref	Content	Size	Material	Pieces
270103	Standard gown with cotton cuffs	One size	NWF	1
	Round cap with elastic	One size	NWF	1
	Monoart® face mask Protection 3	One size	NWF	1
	Waterproof shoe covers	One size	CPE	2

# Surgery Set

## Total protection for outstanding surgery



Total protection for successful surgery. Alle® surgical set is designed to optimise surgical operations. Specially designed to protect professionals, assistants, patients and equipment.



### Classification

Medical Device Class Is



### Packaging

Packed in a sterile medical blister pack with a double adhesive label. The components are individually folded and wrapped in medical paper



### Sterility

Sterility guaranteed for 59 months from the date of production

CERef	Content	Size	Material	Pieces
270123	SMS microfiber gown with cotton cuffs	Size L	SMS	1
	Standard gown with cotton cuffs	One size	NWF	1
	Drape with U cut with adhesive	100 x 150 cm cut 6,5 x 30 cm	NWF + PE	1
	Surgical drape with adhesive side	75 x 90 cm	NWF + PE	2
	Tubing sleeve with inserter	120 x 7 cm	LDPE	1
	Adhesive film sheets	20 x 20 cm	Adhesive PE	2
	Transparent drape with adhesive side	40 x 50 cm	LDPE	1
	Red plastic bag for contaminated waste	24 x 30 cm	PE	1

# Implant Set

## Special protection for complex procedures



The best possible protection for all implant procedures. Specially designed for implant surgery. Produced in conjunction with experts in dental surgery.



### Classification

Medical Device Class Is



### Packaging

Packed in a sterile medical blister pack a with a double adhesive label. The components are individually folded and wrapped in medical paper



### Sterility

Sterility guaranteed for 59 months from the date of production

CE Ref	Content	Size	Material	Pieces
270105	Standard gown with cotton cuffs	One size	NWF	3
	Cap with ties at the back	One size	NWF	1
	Round cap with elastic	One size	NWF	2
	Monoart® face mask Protection 3	One size	NWF	3
	Surgical drape	75 x 90 cm	NWF + PE	1
	Surgical drape	50 x 50 cm	NWF + PE	2
	Drape with central opening without adhesive	50 x 75 - Ø 6 cm	NWF + PE	1
	Dry paper hand towels	30 x 40 cm	Cellulose	2

# Base Set

## Essential for operating in total safety



All the essentials you need to begin any procedure. Specially designed for implant surgery. The product of joint studies with experts in dental surgery. A modified version of the Implant Set.



### Classification

Medical Device Class Is



### Packaging

Packed in a sterile medical blister pack a with a double adhesive label. The components are individually folded and wrapped in medical paper

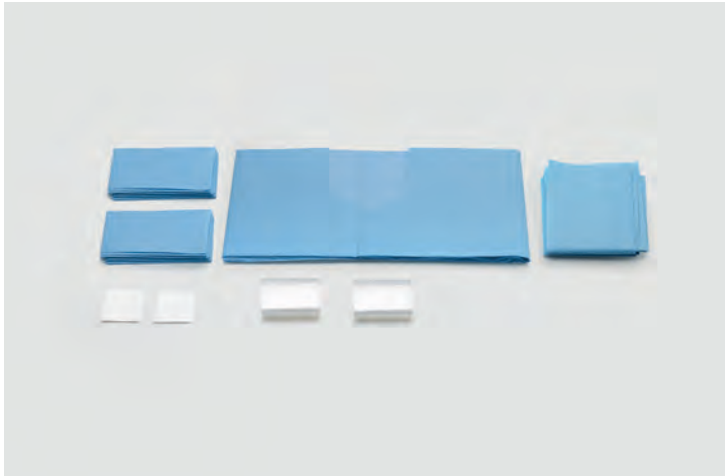


### Sterility

Sterility guaranteed for 59 months from the date of production

CE Ref	Content	Size	Material	Pieces
270106	Standard gown with cotton cuffs	One size	NWF	1
	Standard gown with elastic cuffs	One size	NWF	2
	Cap with ties at the back	One size	NWF	1
	Round cap with elastic	One size	NWF	2
	Facemask with ties	One size	NWF	1
	Monoart® face mask Protection 3	One size	NWF	2
	Drape with U cut with adhesive	75 x 90 cm cut 11 x 9 cm	NWF + PE	1
	Surgical drape	50 x 75 cm	NWF + PE	2
	Tubing sleeve with elastics	120 x 7 cm	LDPE	1

# Protection Set



A selection of sterile drapes and protective items to cover and prepare surfaces and patients during surgical procedures.



## Classification

Medical Device Class Is



## Packaging

See Base Set

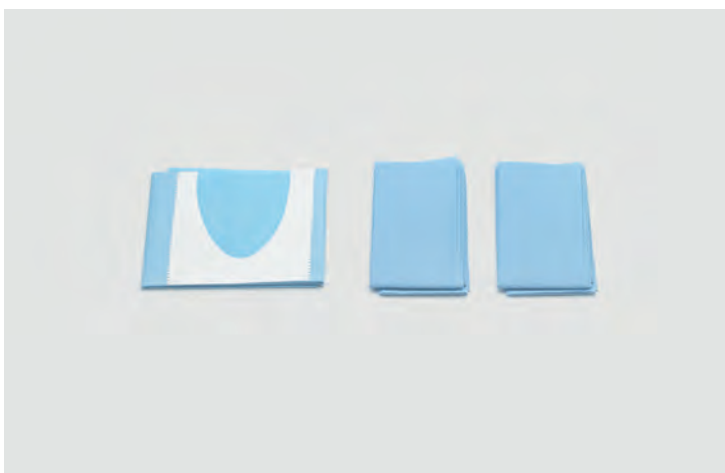


## Sterility

Sterility guaranteed for 59 months from the date of production

CE Ref	Content	Size	Material	Pieces
270107	Drape with U cut without adhesive	100 x 150 cm cut 11 x 30 cm	NWF + PE	1
	Surgical drape	75 x 90 cm	NWF + PE	1
	Surgical drape	50 x 75	NWF + PE	2
	Tubing sleeve with adhesive	120 x 7	LDPE	2

# Drapes Set



A set of drapes to prepare areas for surgery, designed to cover both surfaces and patients.



## Classification

Medical Device Class Is



## Packaging

See Base Set



## Sterility

Sterility guaranteed for 59 months from the date of production

CE Ref	Content	Size	Material	Pieces
270108	Surgical drape	50 x 75 cm	NWF + PE	2
	Drape with U cut with adhesive	50 x 75 cm cut 11 x 9 cm	NWF + PE	1





# Alle<sup>®</sup> gowns

## The first level of defence for dentists and assistants

The purpose of using barrier systems (sterile disposable gowns and draping) during surgery is to protect both the patient and staff members in the operating room from the transfer of micro-organisms, bodily fluids and particles. When worn properly, they help to keep your operating fields sterile. Comfortable, soft, waterproof and breathable, they provide the utmost comfort during procedures. Some disposable barrier systems are available in non-sterile versions as well, to provide comfort for all professionals and patients.

 **For any need**  
Available in nonwoven fabric, nonwoven fabric coupled with a polyethylene layer, SMS microfibre and breathable Spunlace material to provide the desired level of comfort.

 **Versatile**  
A comprehensive range of sterile gowns to protect dentists, patients and whole surgery teams.

 **Traceable**  
Packed with peel-off labels to provide maximum traceability and security for dental clinics.

# Spunlace gown

## Outstanding comfort for complex operations

This highly breathable gown is exceptionally comfortable and very water-resistant. The surgical pleat, double lace fastening (inside and out), cotton cuffs and Velcro neck strap guarantee the perfect fit. It comes with two sterile paper hand towels.



### Classification

Medical Device Class Is compliant with EN 13795 standard



### Material

NWF Spunlace 67 g/m<sup>2</sup>, latex free



### Sizes

M, L, XL



### Colour

Light blue



### Sterility

Sterility guaranteed for 59 months from the date of production



### Breathable

Prevents your body temperature from increasing thanks to the highly breathable fabric, which is also very water-resistant.



### Comfortable

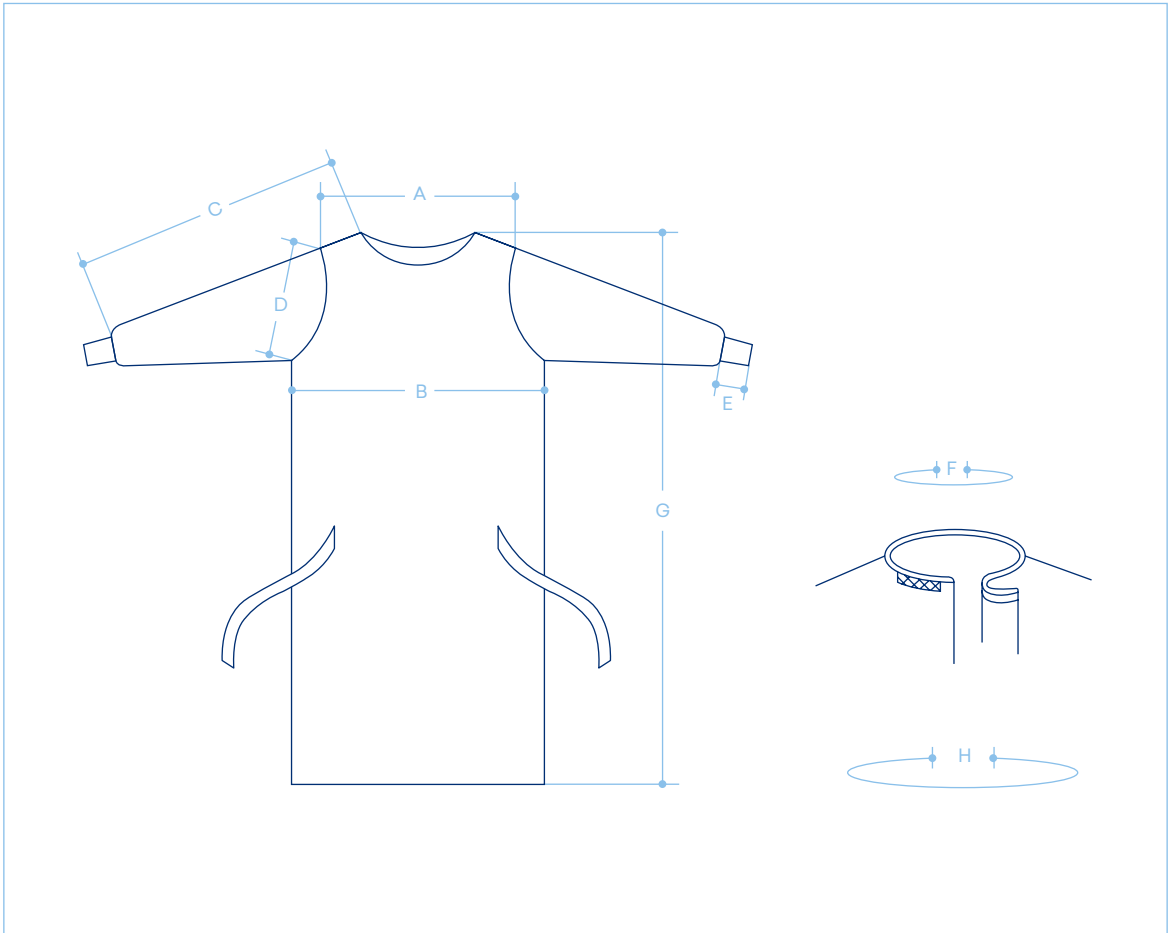
The Spunlace non-woven fabric guarantees exceptional comfort. It's perfect for lengthy operations and treating at-risk patients.



### Traceable

Each gown is packed in a sterile medical blister pack and complete with a double adhesive label with barcode to provide maximum traceability.

## Details



Size	M	L	XL
CE Ref	270408	270409	270410
Pieces	12	12	12
<b>A</b> Shoulder width	57 cm	58 cm	66 cm
<b>B</b> Thorax width	63 cm	68 cm	76 cm
<b>C</b> Total arm length	76 cm	82 cm	86 cm
<b>D</b> Arm width	29 cm	29 cm	29 cm
<b>E</b> Cuff length	7 cm	7 cm	7 cm
<b>F</b> Neck circumference	71 cm	75 cm	75 cm
<b>G</b> Maximum length of gown	128 cm	130 cm	133 cm
<b>H</b> Total circumference of gown	150 cm	157,5 cm	157,5 cm

# SMS microfiber gown

## Light, comfortable and fits perfectly

Made from light, water-repellent SMS microfibre material and complete with cotton cuffs and surgical pleats. The double lace fastening (inside and out) and Velcro neck strap guarantee the perfect fit. Available in sterile and non-sterile versions, based on your needs. Comes with two sterile paper hand towels.



### Classification

Medical Device Class Is (sterile)  
Medical Device Class I (non sterile)  
Compliant with EN 13795 standard



### Material

SMS Microfiber 35 g/m<sup>2</sup>, latex free



### Sizes

M, L, XL



### Colour

Blue



### Sterility

Sterility guaranteed for 59 months from the date of production

Non-sterile version also available



### Durable

Perfect for routine, medium-length implant and periodontics.



### Comfortable

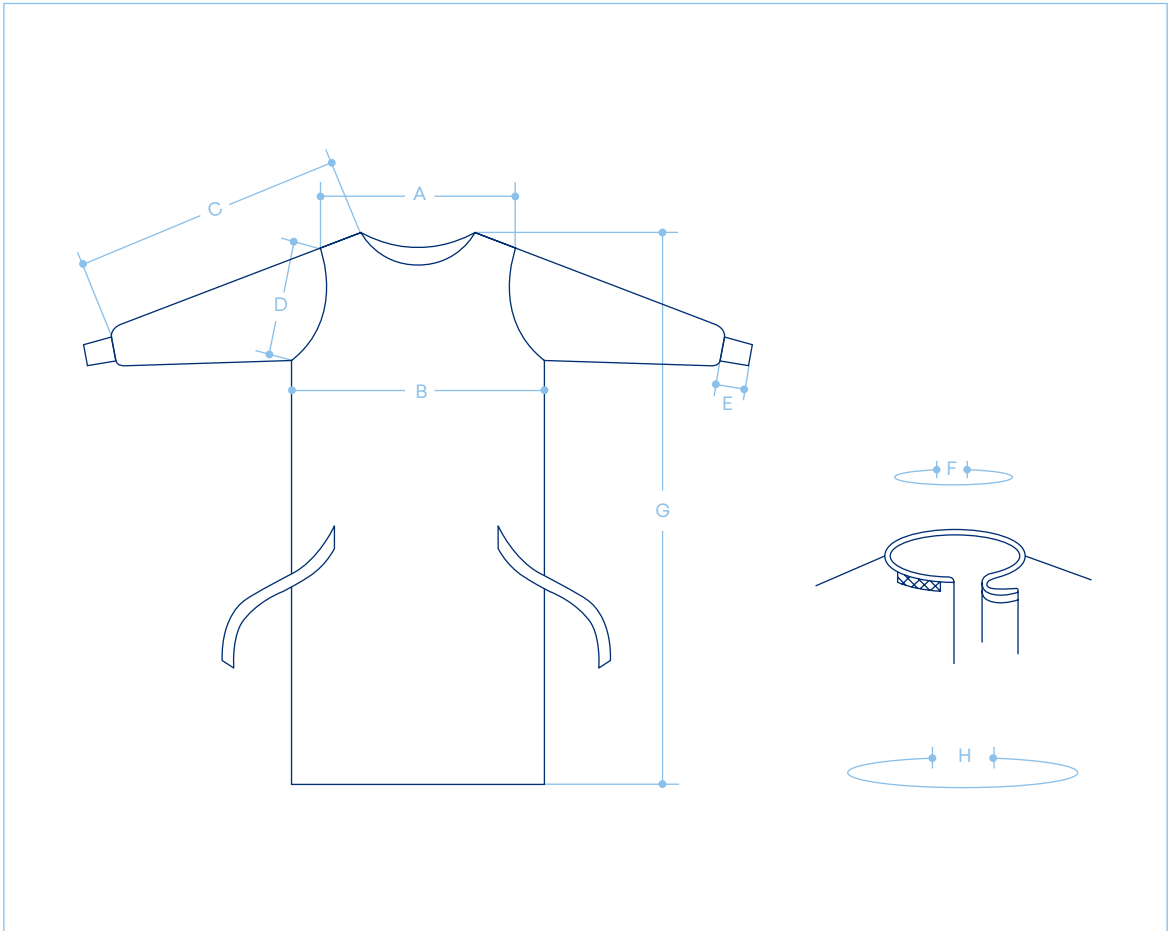
The unique, enveloping shape provides the perfect fit, with very low risk of the material tearing.



### Traceable

Each sterile gown is packed in a sterile medical blister pack and complete with a double adhesive label with barcode to provide maximum traceability.

## Details



Size	M	L	XL
<b>CE Ref - non sterile</b>	270422	270423	270424
<b>CE Ref - sterile</b>	270405	270406	270407
<b>Pieces</b>	12	12	12
<b>A</b> Shoulder width	57 cm	57 cm	66 cm
<b>B</b> Thorax width	63 cm	65 cm	75 cm
<b>C</b> Total arm length	76 cm	79 cm	88 cm
<b>D</b> Arm width	29 cm	29 cm	29 cm
<b>E</b> Cuff length	7 cm	7 cm	7 cm
<b>F</b> Neck circumference	71 cm	74 cm	75 cm
<b>G</b> Maximum length of gown	128 cm	133 cm	134 cm
<b>H</b> Total circumference of gown	149 cm	148 cm	160 cm

# Standard gown

## Practical and versatile for everyday surgery

Comfortable, practical and functional: a NWF gown with cuff, recommended for short everyday operations and complementing patient protection. Available in sterile and non-sterile versions, based on your needs.



### Classification

Medical Device Class Is (sterile)  
Medical Device Class I (non sterile)



### Material

NWF Spunbond 30 g/m<sup>2</sup>, latex free



### Size

One size



### Colours

Green, light blue



### Sterility

Sterility guaranteed for 59 months from the date of production

Non-sterile version also available



### Versatile

Particularly recommended for visitors and patients, as well as healthcare professionals involved in short procedures or outpatient surgery.



### Comfortable

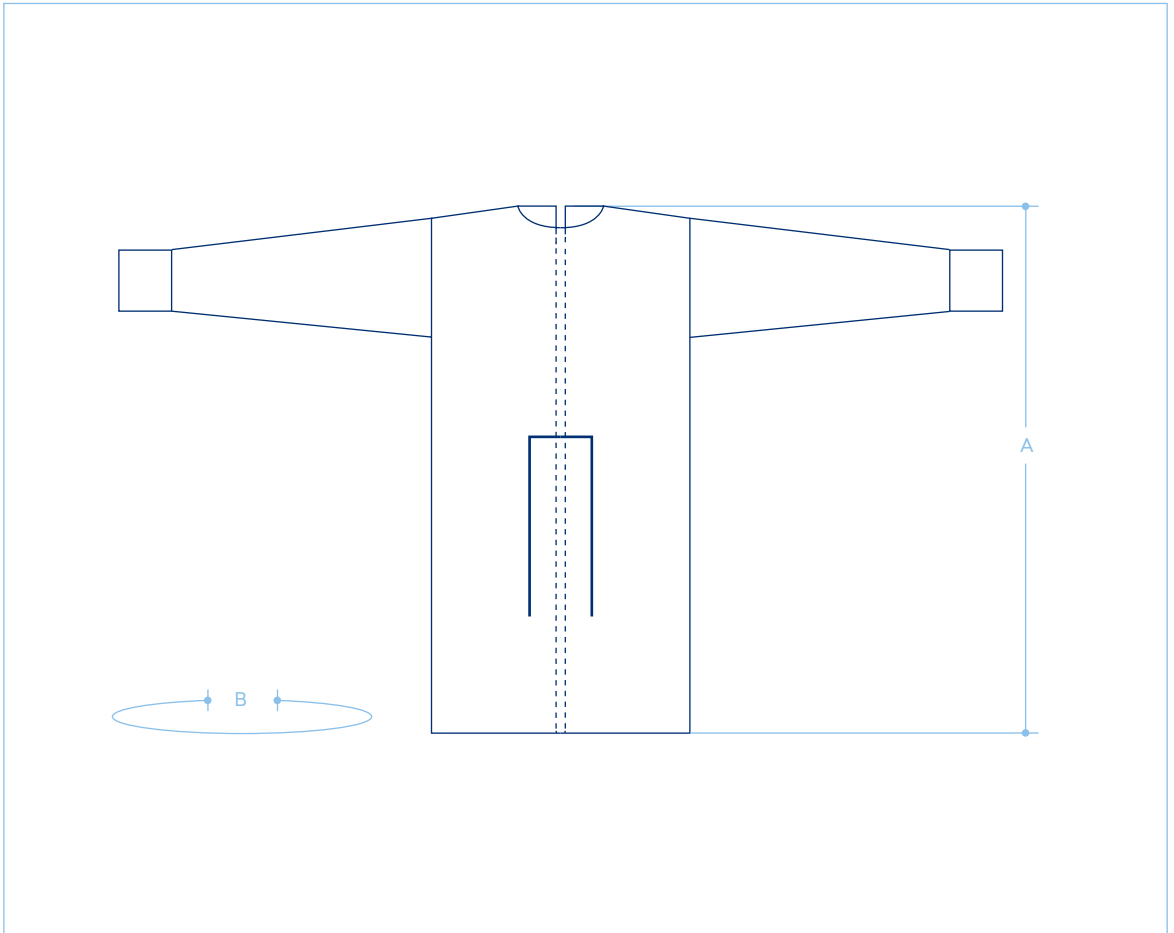
With its perfect fit, it allows you to move around as you normally would without tearing the fabric. Adjustable non-woven belt and lace fastening around the neck at the back.



### Traceable

Each sterile gown is packed in a sterile medical blister pack and complete with barcode to provide maximum traceability.

## Details



Colour		Green	Light blue
CE Ref - non sterile		270425	270426
CE Ref - sterile		270427	270428
Pieces		50	50
<b>A</b>	<b>Length of gown</b>	120 cm	120 cm
<b>B</b>	<b>Width of gown</b>	140 cm	140 cm

# SMS microfiber surgical pyjama

## Guaranteed comfort while you work

Short-sleeve surgical scrubs with top and trousers. Made from comfortable, light and water-repellent SMS microfibre material. Non-sterile product.



### Classification

Medical Device Class I



### Material

SMS Microfiber 35 g/m<sup>2</sup>, latex free



### Sizes

M, L, XL



### Colour

Blue



### Flexible

Replaces traditional gowns used for everyday tasks at your clinic.



### Comfortable

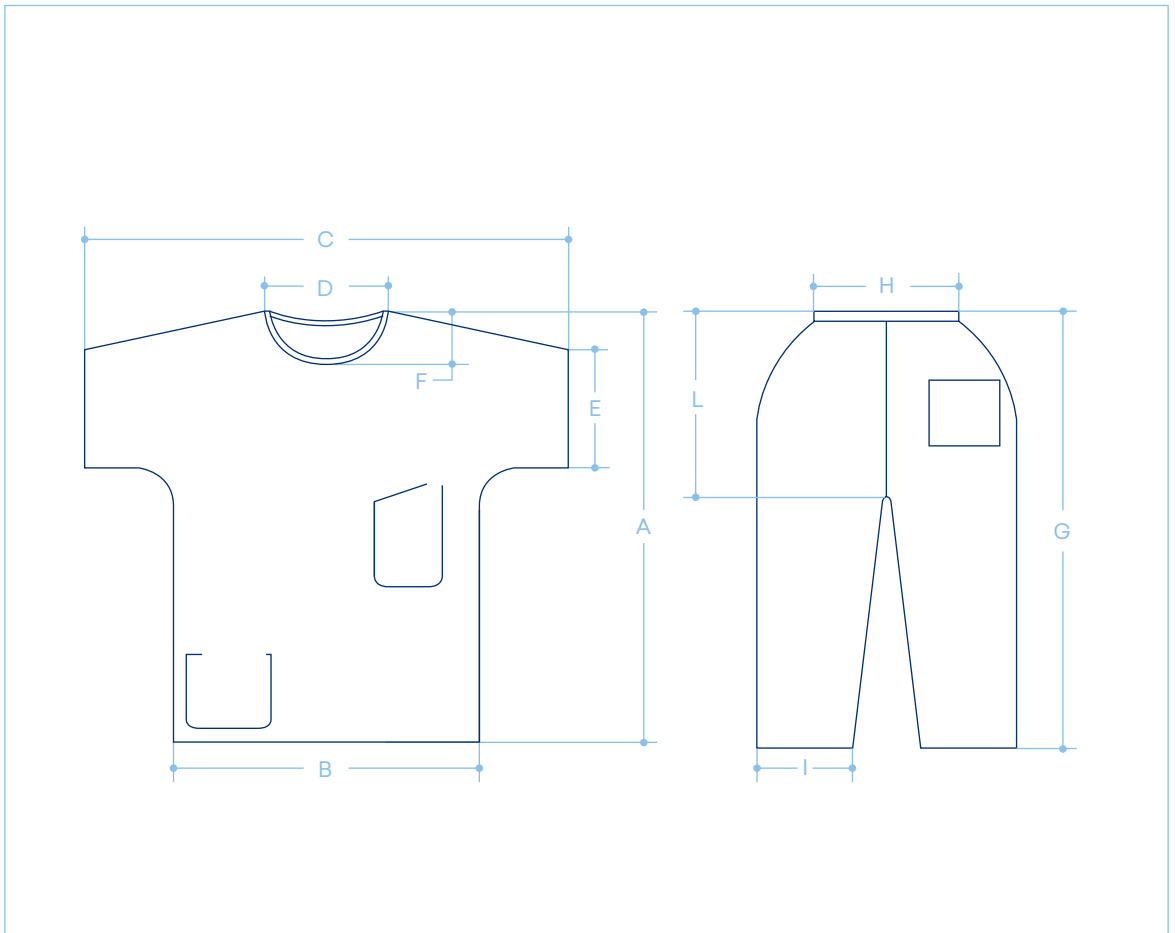
Very comfortable with short, wide sleeves for ease of movement.



### Safe

Flexible and provides perfect protection for the wearer's body.

## Details



Size	M	L	XL
<b>CE Ref</b>	270415	270416	270417
<b>Pieces</b>	20	20	20
<b>A</b> Total length of tunic	74 cm	76 cm	78 cm
<b>B</b> Width of tunic body	57 cm	60 cm	63 cm
<b>C</b> Total width of tunic	89 cm	95 cm	101 cm
<b>D</b> Width of collar	22 cm	23 cm	24 cm
<b>E</b> Width of sleeves	20 cm	21 cm	22 cm
<b>F</b> Depth of neckline	14 cm	14 cm	14 cm
<b>G</b> Total length of trousers	106 cm	108 cm	112 cm
<b>H</b> Width of waist	54 cm	59 cm	62 cm
<b>I</b> Width of leg	23 cm	24 cm	25 cm
<b>L</b> Length of crotch	28 cm	29 cm	30 cm



# Other items of protection

## Irreplaceable day-to-day accessories

Our line of complementary accessories includes non-sterile products that provide total protection during any kind of surgical procedure or day-to-day activities at your dental practice. Three- and Four-layer masks with bacterial filtration performance greater than 98%. Glasses and visors protect the wearer from bodily fluids and sprays and aerosols emitted by rotary instruments, air-water syringes and scalers. Scrub caps and scrub shoes provide extra safety for surgical teams and patients. High-quality, Monoart<sup>®</sup> latex gloves are perfect for routine activities and everyday check-ups. Protective aprons made from waterproof polyethylene for maximum patient protection. Surgical sponges for washing hands before any direct contact with the aseptic surgical field.

# Face masks Protection 3

Euronda | Monoart®

Disposable medical face masks, ideal for preventing the transmission of micro-organisms by air. They guarantee excellent breathability ( $\Delta P$  25.4 Pa/cm<sup>2</sup>), which exceeds the requirements of EN 14683 ( $\Delta P < 40$  Pa/cm<sup>2</sup>). Equipped with a particulate and antibacterial filter (99.7% filtration efficiency). Built-in nose bridge.

Face masks Protection 3 consist of 3 layers:

- soft and colourful water-repellent Spunbond non-woven fabric on the outside;
- Meltblown non-woven fabric middle layer;
- comfortable hydrophilic Spunbond NWT on the inside for effective absorption of sweat and moisture.

Available in 2 versions:

- with soft side elastics (all colours);
- with adjustable ties (light blue only).



## Classification

Medical Device Class I  
EN 14683: type II  
ASTM F 2100: level 1



## Material

NWF



## Colours

Green, light blue



## Variants

With side elastics (green and light blue); with adjustable ties (light blue only)



## CE Ref

Monoart® Face Mask  
Protection 3



Code	Colour and variant	Pieces
217112	Light blue with elastics	50
217503	Light blue with laces	50
217114	Green with elastics	50

# Face masks Protection Soft

Euronda | Monoart®

Disposable medical face masks, fluid resistant (16 kPa), ideal for aerosol and splash protection. Prevent the transmission of micro-organisms by air and ensure excellent breathability ( $\Delta P$  42.5 Pa/cm<sup>2</sup>), which exceeds the requirements of EN 14683 ( $\Delta P < 60$  Pa/cm<sup>2</sup>). Equipped with a particulate and antibacterial filter (99.7% bacterial filtration efficiency and 99.8% particulate filtration efficiency). Soft rounded elastics and elongated double-track nose bridge.

Face masks Protection Soft consist of 4 layers:

- double layer of soft coloured water-repellent Spunbond NWT on the outside for greater protection from aerosol and splashes;
- Meltblown non-woven fabric middle layer;
- comfortable hydrophilic Spunbond non-woven fabric on the inside for effective absorption of sweat and moisture.



## Classification

Medical Device Class I  
EN 14683: type IIR  
ASTM F 2100: level 2



## Material

NWF



## Colour

Aquamarine



## CE Ref

Monoart® Face Mask  
Protection Soft



Code	Colour	Pieces
217011	Aquamarine	50

# Face masks Protection 4

Euronda | Monoart®

Disposable medical face masks, fluid resistant (21.3 kPa), ideal for aerosol and splash protection. Prevent the transmission of micro-organisms by air and ensure excellent breathability ( $\Delta P$  44.3 Pa/cm<sup>2</sup>), which exceeds the requirements of EN 14683 ( $\Delta P < 60$  Pa/cm<sup>2</sup>). Equipped with a particulate and antibacterial filter (99.7% filtration efficiency). Soft flat elastics welded onto the outside, elongated nose bridge and Perfect Fit system.

Face masks Protection 4 consist of 4 layers:

- double layer of soft coloured water-repellent Spunbond NWT on the outside for greater protection from microbial agents;
- Meltblown NWT middle layer;
- comfortable hydrophilic Spunbond NWT on the inside for effective absorption of sweat and moisture.



## Classification

Medical Device Class I  
EN 14683: type IIR  
ASTM F 2100: level 3



## Material

NWF



## Colours

Green, light blue



## CE Ref

Monoart® Face Mask  
Protection 4



Code	Colour	Pieces
217132	Light blue	50
217134	Green	50

# Face masks Protection Sensitive

Euronda | Monoart®

Disposable medical face masks, fluid resistant (21.3 kPa), ideal for aerosol and splash protection. Prevent the transmission of micro-organisms by air and ensure excellent breathability ( $\Delta P$  38.6 Pa/cm<sup>2</sup>), which exceeds the requirements of EN 14683 ( $\Delta P < 60$  Pa/cm<sup>2</sup>). Equipped with a particulate and antibacterial filter (99.7% filtration efficiency). Made from selected cellulose, they do not contain latex, glass fibre or chemical substances, and are thus able to protect the most sensitive skin and avoid the risk of irritations, dermatitis and allergies. Soft flat elastics welded onto the outside, elongated nose bridge and Perfect Fit system.

Face masks Protection Sensitive consist of 4 layers:

- double layer made of soft and coloured water-repellent Spunbond NWT on the outside for the best protection from microbial agents;
- middle layer made of Meltblown NWT;
- comfortable layer made of hydrophilic cellulose.



## Classification

Medical Device Class I  
EN 14683: type IIR  
ASTM F 2100: level 3



## Material

NWF and idrofobic cellulose



## Colour

Light blue



## CE Ref

Monoart® Face Mask  
Protection 4 Sensitive



Code	Colour	Pieces
217141	Light blue	50

# Spunlace cap

Surgical cap with elasticated back. Practical and quick to put on. Made of Spunlace non-woven fabric, which is both exceptionally comfortable and extremely water-repellent. Non-sterile product.



## Classification

Medical Device Class I



## Material

NWF Spunlace 67 g/m<sup>2</sup>



## Colour

Light blue

CE Ref	Colour	Pieces
270502	Light blue	50

# Round cap with elastic

Round and elasticated non-woven fabric scrub cap. Ideal for patients and surgical teams. Non-sterile product.



## Classification

Medical Device Class I



## Material

NWF 15 g/m<sup>2</sup>



## Colours

Green, light blue

CE Ref	Colour	Pieces
270505	Green	100
270506	Light blue	100

# Bandana

Euronda | Monoart®

Cotton bandanas that are pleasant and comfortable to wear, equipped with ties and adaptable to all sizes. Thanks to the premium-quality cotton and resistant colours, they can be autoclaved at 121°C.



## Classification

Personal Protective Equipment Category 1, compliant with EU Regulation 2016/425



## Material

Autoclavable cotton



## Colours

Green, light blue



## CE Type Ref

MONOART® BANDANA

Code	Colour	Pieces
262003	Light blue	10
262001	Green	10

# Cap with ties at the back

Cap with ties at the back made in non-woven fabric, ideal for all the team. Non-sterile product.



## Classification

Medical Device Class I



## Material

NWF 35 g/m<sup>2</sup>



## Colours

Green, light blue

CE Ref	Colour	Pieces
270503	Green	100
270504	Light blue	100

# Clinical Cap

**Euronda**

Disposable cap with elastic band at the nape of the neck, adaptable to all head sizes and also suitable for those with thick hair. The cap is made from perforated, breathable and absorbent non-woven fabric.



## **Classification**

Medical Device Class I



## **Material**

Perforated NWF 26 g/m<sup>2</sup>



## **Colour**

Light blue



## **CE Ref**

10.M0017.00



Code	Colour	Pieces
270757	Light blue	100

# Contemporary glasses

Euronda | Monoart®

Our Contemporary glasses offer the perfect combination of elegance, protection, comfort and style. Lightweight and very strong, Contemporary glasses are the perfect protective solution for doctors and assistants. The anti-fog treatment makes the lenses twice as effective against condensation, while the anti-scratch treatment is five times as resistant to abrasions. This is combined with a sophisticated and exclusive design, with a glossy total black frame, which allows the easy replacement of the standard lenses with corrective lenses if necessary.



## Classification

Personal Protective Equipment Category 2, compliant with EU Regulation 2016/425



## Colours

Transparent and black frame



## Weight

29 g



## Treatments

Anti-scratch and anti-fog Plus



## CE Ref

571

Code	Pieces
261020	1

# FitUp glasses

Euronda | Monoart®

Operator glasses with a wraparound design, providing maximum protection and visibility while offering exceptional comfort and fit thanks to adjustable arms (length and tilt) and a soft, non-slip adjustable nose pad. High-strength lenses with anti-fog and anti-scratch treatment.

Available in two colours:

- FitUp Green: with clear and green frames.
- FitUp Pink: with clear and pink frames.



## Classification

Personal Protective Equipment Category 2, compliant with EU Regulation 2016/425



## Colours

Transparent and pink or transparent and green



## Weight

25 g



## Treatments

Anti-scratch and anti-fog Plus



## CE Ref

Pink: 506U.03.02.00  
Green: 506U.03.00.00



Code	Colour	Pieces
261179	Pink	1
261169	Green	1

# Cube glasses

Euronda | Monoart®

Operator glasses with a square, modern and wraparound design. With adjustable depth, the arms memorize the desired shape. It can be used as over-glasses. Optically controlled clear polycarbonate lens for 180° vision.



## Classification

Personal Protective Equipment Category 2, compliant with EU Regulation 2016/425



## Colours

White and light blue



## Weight

37 g



## Treatments

Anti-scratch and anti-fog Plus



## CE Ref

5X7.03.22.00



Code	Pieces
261010	10

# Operator visor

Euronda | Monoart®

Ultralight disposable visor for operators, consisting of a clear frame and interchangeable visor. Designed for complete protection of operators from splashes of blood or other potentially dangerous fluids. It can be worn over corrective spectacles and magnifying systems (loupes). Clear, anti-fog disposable visor.



## Classification

Personal Protective Equipment Category 1, compliant with EU Regulation 2016/425



## Colour

Transparent



## Weight

25 g



## Treatment

Anti-fog Basic



## CE Ref

711



Code	Pieces
261103	1 frame + 10 visors
261104	Refill with 20 visors

# Treatment of protective eyewear

When used in combination with the surgical mask, lenses may fog up, impairing visibility. Monoart® safety goggles offer different types of treatment to prevent the formation of condensation:

- **Anti-fog Basic treatment:** meets requirement N of EN 166, preventing condensation formation for 8 seconds;
- **Anti-fog Plus treatment:** guarantees anti-fog properties 5 times higher than requirement N of EN 166, preventing the formation of condensation for 40 seconds;
- **Anti-fog Ultra treatment:** made on the inside of the lens, it prevents the formation of condensation over 40 seconds, guaranteeing outstanding anti-fog properties.

Scratches can compromise lens transparency and thus visibility, exposing the operator to various risks. The lenses of Monoart® safety goggles offer different levels of protection against scratches and abrasions:

- **Anti-scratch Basic treatment:** meets requirement K of EN 166, which requires testing the scratch resistance by dropping quartz sand on the lens from a certain height and then testing the reduced luminance factor;
- **Anti-scratch Plus treatment:** hardens the lens surface for excellent scratch resistance and transparency in all conditions. The reduced luminance factor is 2 Cd / Mq x lux;
- **Anti-scratch Ultra treatment:** guarantees a longer lifespan, improved visibility even in critical conditions, and performs significantly better than standard anti-scratch treatments on the market. The reduced luminance factor is 1.2 Cd / Mq x lux.

## Frame technologies

Monoart® protective eyewear offers maximum comfort and ergonomics thanks to the innovative use of materials, attention to detail and careful design. You will find the following technologies in the Monoart® eyewear range:

- Adjustable nose pad;
- Integrated side protectors;
- Tilting movement of the temples for a perfect fit and stability;
- Adjustable tilt and length of the temples for a perfect fit.

# Disposable Latex Gloves

Euronda | Monoart®

Safe, comfortable, durable: Monoart® disposable latex gloves offer hygienic, comfortable protection for your hands. Easy to wear, thanks to their polymer inner lining and foldable cuff, they guarantee excellent tactile sensitivity and a firm grip in all conditions, thanks to their micro-roughened surface. The ideal way to approach any procedure with peace of mind.



## Classification

Personal Protective Equipment Category 3, compliant with EU Regulation 2016/425



## Material

Powder-free latex



## Sizes

XS, S, M, L



## Colour

Blue



## CE Type Ref

MONOART® Latex Gloves

Code	Size	Pieces
260105	XS	100
260106	S	100
260107	M	100
260108	L	100



## Safe

Provide an exceptional protective barrier and contain no substances of concern (SVHC), endocrine disruptors or dust, which are often responsible for the respiratory symptoms caused by latex.



## Certified

They meet strict quality control criteria and are certified according to EU Regulation 2016/425, in accordance with standards: EN ISO 374-1, EN ISO 374-4, EN ISO 374-5.



## Resilient

Resistant to water, acids and alkalis, offering good protection against micro-organisms and most caustic substances and detergents.

# Waterproof shoe covers

Elasticated protection for footwear. It prevents contamination by limiting the transmission of the microorganisms that are found on the soles of patients and medical staff. Non-sterile product.



## Classification

Medical Device Class I



## Material

CPE



## Size

One size



## Colour

Blue



CE Ref	Pieces
270420	100



## Comfortable

Protections for footwear made of CPE with comfortable elastic, effective in both dry and wet conditions. One size fits all with wide fit.



## Safe

Completely latex free and do not contain phthalates or elements that may cause allergies or skin reactions (adhesives, chemicals, etc.)



## Functional

Recommended for use in the operating room to protect operators from infected liquids and to avoid pollution of the surgical field or sterile and sanitised environments.

# Dry surgical scrub brush

A set complete with sponge, brush and nail cleaner, available in two versions with and without chlorhexidine. The dry version that can be used with any type of antiseptic soap. Lifetime of 5 years from the manufacturing date for the dry version.



## Classification

Medical Device Class IIa



## Material

Polyethylene brush, polyurethane sponge, polypropylene nail cleaner. Free of latex and phthalates



## Sterility

Sterility guaranteed for 5 years from the date of production



## CE Ref

NEX D1 DRY



Code	Pieces
270753	40

# Chlorhexidine surgical scrub brush

The chlorhexidine version (20 ml) is composed by a broad-spectrum biocidal detergent/disinfectant that is released gradually after contact with the skin. Lifetime of 3 years from the manufacturing date.



## Classification

Biocide with Italian local registration



## Material

Polyethylene brush, polyurethane sponge impregnated with 4% CHG (Chlorhexidine Gluconate), polypropylene nail cleaner. Free of latex and phthalates



Code	Pieces
270751	40



# Alle<sup>®</sup> sterile drapes

## Maximum protection for your surgical field

When procedures for setting up surgical fields are followed, sterile and disposable drapes are used to create an uncontaminated environment, protecting both surgical areas and professionals. A range of different materials, sizes and models are available. They are made with a layer of soft, absorbent and waterproof non-woven fabric and a layer of polyethylene film to create a protective barrier and reduce the risk of post-operative infections caused by migrating pathogenic germs.



### **Innovative**

Available in breathable, water-repellent Spunlace, and nonwoven fabric or cellulose coupled with a polyethylene layer, which makes them absorbent and waterproof.



### **Versatile**

A number of varieties are available in different sizes and lengths, including basic draping, drapes with adhesive tape, drapes with central openings and off-centre openings, and drapes with U cuts.



### **Guaranteed**

Individually packaged to guarantee sterility for 59 months and comes with a peel-off label for traceability.

# Drapes for Mayo and Instrument tables

Designed to cover surgical tables and to protect equipment. Main drapes cover instrument tables, while Mayo tables are protected by pocket-like drapes for better coverage of the table.



## Classification

Medical Device Class Is



## Material

LDPE + absorbent  
NWF 54 g/m<sup>2</sup>, latex free



## Colour

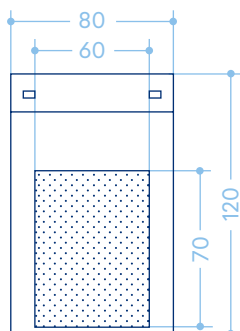
Blue



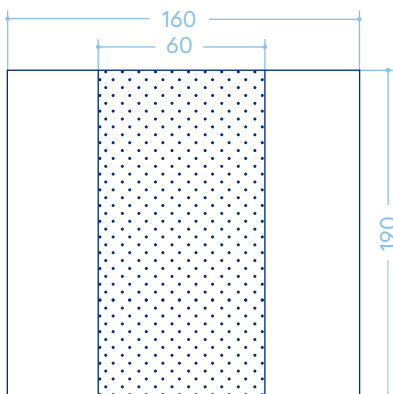
## Sterility

Sterility guaranteed for  
59 months from the date  
of production

Drape for Mayo table



Drape for Instrument table



Drape for Mayo table

CE Ref	Size	Pieces
270213	80 x 120 cm	25

Drape for Instrument table

CE Ref	Size	Pieces
270214	160 x 190 cm	25

# Surgical drapes

The non-woven fabric bonded with the polyethylene material absorbs bodily fluids without compromising the product's protective barrier. With its outstanding drapability, the 'no-memory' material retains particles without releasing them into the air. Drape available in various sizes that can be adapted to any surface or equipment being covered.



## Classification

Medical Device Class Is



## Material

NWF + PE 54 g/m<sup>2</sup>



## Colour

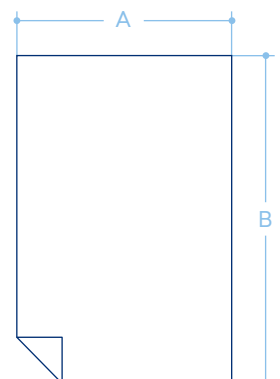
Light blue



## Sterility

Sterility guaranteed for 59 months from the date of production

CE Ref	270201	270202	270203	270204	270205
<b>Pieces</b>	125	100	50	25	25
<b>A Width</b>	50 cm	50 cm	75 cm	100 cm	150 cm
<b>B Length</b>	50 cm	75 cm	90 cm	150 cm	200 cm



# Standard drapes

## Pure

Absorbent drapes in 100% cellulose bonded to a water-repellent polyethylene layer. Drapes available in various sizes and ideal for protecting work surfaces.



### Classification

Medical Device Class Is



### Material

Cellulose + PE 47 g/m<sup>2</sup>



### Colour

Light blue

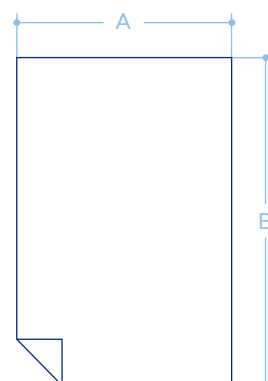


### Sterility

Sterility guaranteed for 59 months from the date of production



<b>CE Ref</b>		270218	270219	270220	270221
<b>Pieces</b>		150	125	75	25
<b>A</b>	<b>Width</b>	50 cm	50 cm	75 cm	90 cm
<b>B</b>	<b>Length</b>	50 cm	75 cm	90 cm	150 cm



# Surgical drape with adhesive side

A practical 4 cm medical adhesive strip on the shortest side of the drape can be used to secure it to a fixed point, preventing accidental movements and contamination. The drapes are folded so that staff members maintain a clean and sterile environment while handling them. Available in various sizes and packed in sterile medical blister packs. The double adhesive label with barcode means that the product is traceable and easier to store.



## Classification

Medical Device Class Is



## Material

NWF + PE 54 g/m<sup>2</sup>



## Colour

Light blue



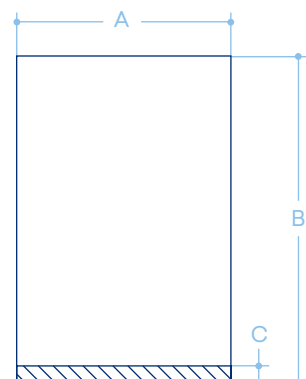
## Sterility

Sterility guaranteed for 59 months from the date of production



CE Ref	270206	270207	270208
Pieces	75	50	25
A Width	50 cm*	75 cm*	100 cm*
B Length	75 cm	90 cm	150 v
C Adhesive height	4 cm	4 cm	4 cm

\*adhesive side



# Drape with central adhesive opening

The adhesive circular shape in the centre of the drape creates an effective sterile barrier for all types of surgical procedures. The drapes are folded so that staff members maintain a clean and sterile environment while handling them. Available in various sizes and packed in sterile medical blister packs. The double adhesive label with barcode means that the product is traceable and easier to store.



## Classification

Medical Device Class Is



## Material

NWF + PE 54 g/m<sup>2</sup>



## Colour

Light blue

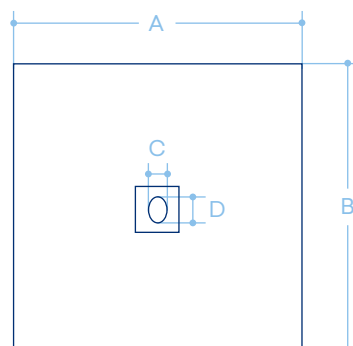


## Sterility

Sterility guaranteed for 59 months from the date of production



CE Ref	270215	270216	270217
<b>Pieces</b>	100	75	50
<b>A Width</b>	50 cm	50 cm	75 cm
<b>B Length</b>	50 cm	75 cm	90 cm
<b>C Opening width</b>	6 cm	6 cm	6 cm
<b>D Opening length</b>	9 cm	9 cm	9 cm



# Drape with off-centre adhesive opening

This item has the same features as the drape with central opening, but its off-centre opening enables you to maximise use of the drape's dimensions. The drapes are folded so that staff members maintain a clean and sterile environment while handling them. Available in various sizes and packed in sterile medical blister packs. The double adhesive label with barcode means that the product is traceable and easier to store.



## Classification

Medical Device Class Is



## Material

NWF + PE 54 g/m<sup>2</sup>



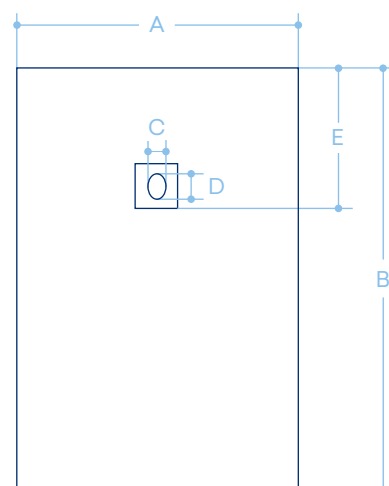
## Colour

Light blue



## Sterility

Sterility guaranteed for 59 months from the date of production



<b>CE Ref</b>	270228
<b>Pieces</b>	25
<b>A Width</b>	100 cm
<b>B Length</b>	150 cm
<b>C Opening width</b>	6 cm
<b>D Opening length</b>	9 cm
<b>E From top</b>	47 cm

# Drape with U cut without adhesive

Practical for surgeons and comfortable for patients: the 'U' shape makes it easy to place on the bottom lip or chin, creating an effective sterile barrier. Individually packaged to guarantee sterility for 59 months and comes with a peel-off label for traceability.



## Classification

Medical Device Class Is



## Material

NWF + PE 54 g/m<sup>2</sup>



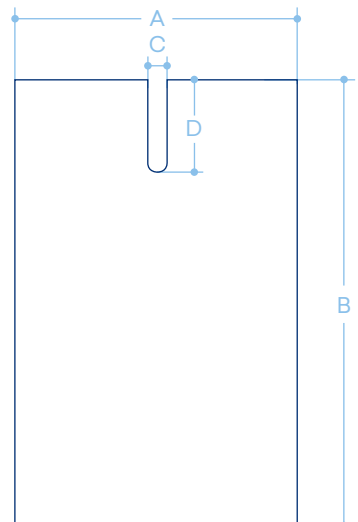
## Colour

Light blue



## Sterility

Sterility guaranteed for 59 months from the date of production



<b>CE Ref</b>	270209
<b>Pieces</b>	25
<b>A Width</b>	100 cm
<b>B Length</b>	150 cm
<b>C Opening width</b>	11 cm
<b>D Opening length</b>	30 cm

# Drape with U cut and adhesive

The “U” shape makes it easy to place both on the bottom lip and on the neck, creating an effective sterile barrier. The practical medical adhesive stops the drape from moving and therefore prevents accidental contamination.



## Classification

Medical Device Class Is



## Material

NWF + PE 54 g/m<sup>2</sup>



## Colour

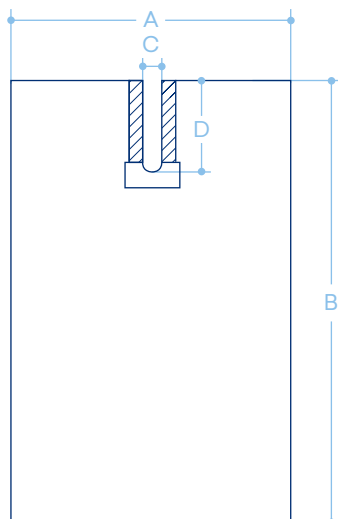
Light blue



## Sterility

Sterility guaranteed for 59 months from the date of production

CE Ref	270210	270211	270212
<b>Pieces</b>	50	50	25
<b>A Width</b>	50 cm	75 cm	100 cm
<b>B Length</b>	75 cm	90 cm	150 cm
<b>C Opening width</b>	11 cm	11 cm	6,5 cm
<b>D Opening length</b>	9 cm	9 cm	30 cm



# Drape with U cut without adhesive and adhesive point

The 'U' shape makes it easy to place on the bottom lip or chin. The adhesive part allows you to fix the drape in place, which prevents it from moving and creates an effective sterile barrier. Industry experts maintain that its 115-cm length is perfect for covering patients. Packed in a sterile medical blister pack, drapes are folded so that staff members maintain a clean and sterile environment while handling them. The double adhesive label with barcode means that the product is traceable and easier to store.



## Classification

Medical Device Class Is



## Material

NWF + PE 54 g/m<sup>2</sup>



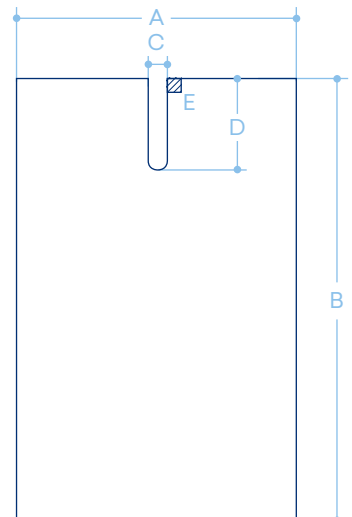
## Colour

Light blue



## Sterility

Sterility guaranteed for 59 months from the date of production



<b>CE Ref</b>	270230
<b>Pieces</b>	40
<b>A Width</b>	75 cm
<b>B Length</b>	115 cm
<b>C Opening width</b>	15 cm
<b>D Opening length</b>	25 cm
<b>E Adhesive point size</b>	6 x 6 cm

# Spunlace drape with no panic window

Drape with triangular opening and Velcro tubing holder. Designed to protect the patient's eyes from accidental injuries and splashes, the drape features a protective window made from see-through material, enabling the patient and dentist to see each other during a procedure. Made from Spunlace, it is exceptionally comfortable, highly breathable and very water-resistant. Studied for lengthy, complex surgical operations, it is packed in a sterile medical blister pack and the double adhesive label with barcode means that the product is traceable and easier to store.



## Classification

Medical Device Class Is



## Material

NWF Spunlace 67 g/m<sup>2</sup>, latex free



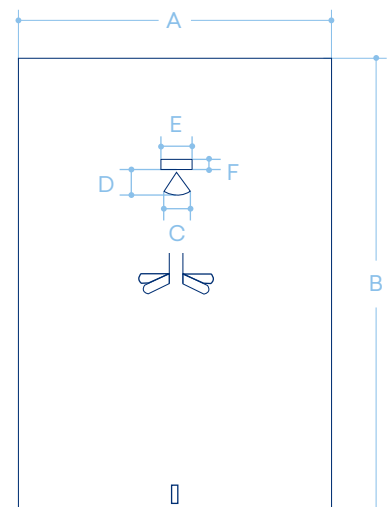
## Colour

Light blue



## Sterility

Sterility guaranteed for 59 months from the date of production



<b>CE Ref</b>	270226
<b>Pieces</b>	5
<b>A Width</b>	133 cm
<b>B Length</b>	200 cm
<b>C Opening width</b>	11 cm
<b>D Opening height</b>	10 cm
<b>E Window width</b>	13 cm
<b>F Window height</b>	4,5 cm

# Spunlace drapes

Spunlace non-woven fabric is exceptionally comfortable, highly breathable and very water-resistant. Specially designed for long and complex surgical operations. With a variety of different models available, the drapes are designed to satisfy all surgical needs. Packed in a sterile medical blister pack, they are folded so that staff members maintain a clean and sterile environment while handling them. The double adhesive label with barcode means that the product is traceable and easier to store.



## Classification

Medical Device Class Is



## Material

NWF Spunlace 67 g/m<sup>2</sup>, latex free



## Colour

Light blue



## Sterility

Sterility guaranteed for 59 months from the date of production



## Safe

High drapability: once laid out, the material remains in place without moving or slipping.



## Breathable

Spunlace prevents body temperature from rising thanks to the material's high breathability.



## Non-reflective

The highly opaque fabric minimises the risk of distractions caused by reflective glares.

## Some details of the drapes



### 270223

Detail of drape without adhesive U shaped cut and cable hole for aspirator



### 270224

Detail of drape with adhesive U shaped cut and cable hole for aspirator



### 270225

Detail of drape with off-centre adhesive opening

Ce Ref	Type	Size	Pieces
270222	Rectangular drape without adhesive	75 x 100 cm	40
270223	Drape with U-shaped cut, without adhesive and cable hole for aspirator	133 x 200 cm adhesive cut 6,5 x 50 cm	10
270224	Drape with adhesive U-shaped cut and cable hole for aspirator	133 x 200 cm cut 6,5* x 50 cm	10
270225	Drape with off-centre adhesive opening	100 x 150 cm opening 6* x 9 cm	25



# Alle<sup>®</sup> sterile and non-sterile protective products

## For totally safe surgical environments

A wide range of sterile products designed to protect surfaces and small/medium-size apparatus located near surgical fields, and to keep operating rooms free from contamination.



### Safe

These allow you to protect all the equipment and small surfaces in your surgical environment, keeping them sterile.



### Practical

Each product is easy to apply, enabling you to set up your surgical field in a quicker and more precise manner.



### Traceable

Made with high-quality materials and packed in labelled bags for maximum traceability: sterility guaranteed for 59 months.

# All-purpose bag for radiographic systems

This all-purpose bag is sterile, see-through and allows you to protect radiographic, photographic and microscopic systems, leaving your surgical field totally sterile.



## Classification

Medical Device Class Is



## Material

PE



## Size

Ø 75 cm



## Colour

Transparent



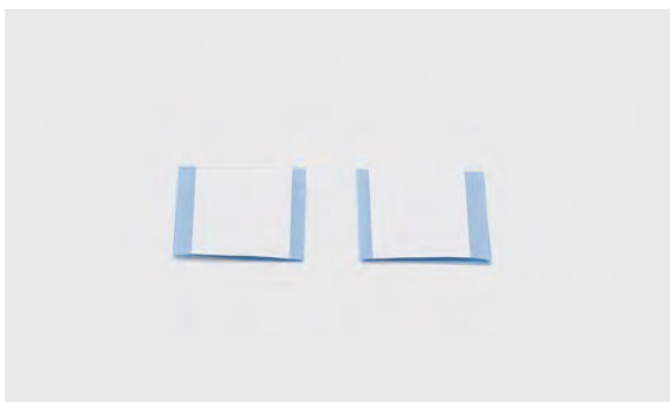
## Sterility

Sterility guaranteed for 59 months from the date of production

CE Ref	Pieces
270316	25

# Medical adhesive

Medical adhesive for securing protective sheaths, tubes and drapes, leaving your surgical field safe and sterile.



## Classification

Medical Device Class Is



## Material

NWF



## Size

10 x 5 cm



## Colour

Light blue



## Sterility

Sterility guaranteed for 59 months from the date of production

CE Ref	Pieces
270315	50 blisters of 2 pieces

# Transparent drape with adhesive

See-through, low-density polyethylene drapes with adhesive tape. Perfect for covering physiodispensers and control units. The adhesive tape makes them quick and easy to apply without leaving residue on surfaces. The transparent material is totally see-through, enabling you to use your control panels.



## Classification

Medical Device Class Is



## Material

Adhesive PE



## Size

40\* x 50 cm  
\*adhesive side



## Colour

Transparent



## Sterility

Sterility guaranteed for 59 months from the date of production

CE Ref	Pieces
270227	20

# Barrier film

Euronda | Monoart®

Disposable film for the protection of areas and surfaces, especially those difficult to reach, clean or disinfect. Reduces the risk of cross-contamination caused by aerosols and sprays. Thanks to its lightweight adhesive, it adheres easily to all surfaces without leaving residue, while the non-adhesive border on both sides makes placement and removal quick and easy.



## Material

PVC



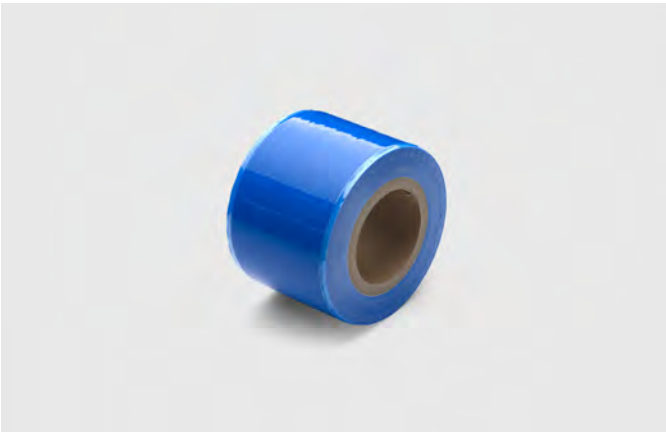
## Size

10 x 15 cm



## Colour

Blue



Code	Pieces
269001	1 roll of 1200 sheets

# Adhesive film

Designed to protect surfaces that are exposed to contamination but difficult to clean/sterilise during clinical procedures (control panels, handles, switches, etc.). The adhesive polyethylene material does not leave residue on protected surfaces.



## Classification

Medical Device Class Is



## Material

Adhesive PE



## Size

20 x 20 cm



## Colour

Light blue



## Sterility

Sterility guaranteed for 59 months from the date of production

CE Ref	Pieces
270301	50

# Tubing sleeve with adhesive fixing tapes

Disposable anti-reflective transparent polyethylene tubing sleeve with open ends. With two non-woven fabric adhesive strips for securing the ends.



## Classification

Medical Device Class Is



## Material

LDPE, latex free



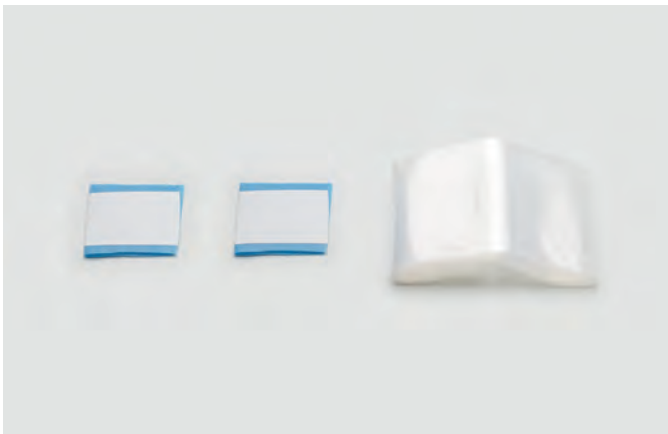
## Colours

Light blue, white



## Sterility

Sterility guaranteed for 59 months from the date of production



CE Ref	Size	Colour	Pieces
270302	120 x 7 cm	Light blue	50
270303	240 x 7 cm	Light blue	50
270304	120 x 7 cm	White	50
270305	240 x 7 cm	White	50

# Tubing sleeve with inserter

Disposable anti-reflective transparent polyethylene tubing sleeve with open ends. Elasticated and complete with a handy card fitter for easy insertion.



## Classification

Medical Device Class Is



## Material

LDPE, latex free



## Size

120 x 70 cm



## Colour

Transparent



## Sterility

Sterility guaranteed for 59 months from the date of production

CE Ref	Pieces
270310	10

# Turbine cover

Euronda | Monoart®

Disposable sleeve in clear polyethylene film, which helps prevent the risk of cross-contamination. Product made in Italy.

Available in two different sizes:

- 4,5 cm diameter, ideal for turbine cords, suction tubes and handpieces;
- 5,5 cm diameter for micromotor cords, air/water syringes and connecting tubes.



## Material

PE



## Size

Available in two sizes:  
4,5 x 45 cm and  
5,5 x 45 cm



## Colour

Transparent



Code	Size	Pieces
246004	4,5 x 45 cm	1 roll of 250 sheets
246005	5,5 x 45 cm	1 roll of 250 sheets

# Decontamination mat

Euronda | Monoart®

Monoart® decontamination mat in low-density polythene with 30 numbered and branded adhesive sheets, to prevent the spread of bacteria in the surgery. Thanks to the special formula of the bactericidal gelatine present on the upper surface, it removes and deactivates the bacteria present on the soles of shoes. Product made in Italy.



## Classification

Medical Device Class I



## Material

Adhesive PE



## Size

45 x 115 cm



## Colour

Blue



Code	Pieces
270758	4 pieces with 30 adhesive sheets

# Dentist chair cover

Euronda | Monoart®

Disposable chair cover made from soft, non-woven fabric for the protection and safety of patients. The chair cover kit consists of a headrest cover, backrest cover and seat cover. With its all-purpose size, it is suited to all kinds of dental chairs thanks to the elasticated edges and ties.



## Material

NWF 28 g/m<sup>2</sup>



## Colours

Light blue, green



Code	Colour	Pieces
264000	Light blue	25
264001	Green	25

# Headrest Cover

Polyethylene headrest cover, with cellulose exterior and polyethylene lining. In a practical dispenser.



## Material

PE 28 g/m<sup>2</sup>



## Colours

Light blue, white



## Size

28 x 30 cm



Code	Colour	Pieces
213006	Light blue	250
213007	White	250





**SOLUZIONE PER INFUSIONE**  
**Composizione:** Soluzione per infusione di sodio cloruro 0,9% in acqua, 1000 ml.  
**Osmolarità teorica:** 300 mOsm/L.  
**Indicazioni terapeutiche:** Reintegrare l'equilibrio idroelettrolitico.  
**Posologia, modo e via di somministrazione:** Per uso intravenoso.  
**Conservazione:** Conservare a temperatura ambiente (15-25°C). Non congelare né refrigerare.  
**Scadenza:** Vedere la data di scadenza sulla confezione. La data di scadenza si riferisce all'intero contenuto della confezione.  
**Avvertenze:** Prima dell'uso leggere attentamente il foglio illustrativo. Assicurarsi che la soluzione sia limpida, incolore e priva di particelle visibili dopo l'apertura del contenitore. Evitare l'uso prolungato.  
**NON DISPENSAZIONE  
MEDICINALE NON SOGGETTO A  
TENERE FUORI DALLA PORTATA  
DEI BAMBINI**  
A.I.C.  
Titolare A.I.C.  
S.A.L.F. S.p.A. Laboratorio Farmaceutico  
via Marconi, 2 - 00144 Roma - Tel. 06/520001

**PVC** Contenitore in polivinilidene  
Prodotto da S.A.L.F.

# Alle<sup>®</sup> sterile irrigation lines

## The proper cooling of dental drills

Proper irrigation during the creation of the implant site is essential for the necessary osseointegration of the implant and, consequently, the procedure's success. Mechanical and manual irrigation lines are compatible with the main physiodispensers and mechanised systems available on the market. All irrigation lines are Medical Devices of Class IIa, subject to Regulation 2017/745.



### **Compatible**

Totally compatible with the main physiodispensers and implant drills on the market.



### **High quality**

Robust plastic materials and high-quality parts, free from phthalates. No scrupulous manufacturing processes.



### **Sterile**

Individually packed in sterile blister packs with labels for maximum traceability: sterility guaranteed for 59 months.

# Mechanical irrigation lines

An appropriate, well gauged jet of liquid coolant is able to bring a dental drill “to the ideal temperature”. This can only be done with an irrigation system that has been specifically created for the different types of physiodispenser available on the market. The soft silicone tips of Alle® irrigation lines is available in different dimensions and can be adapted to the different diameters of wand cooling needles.



## Classification

Medical Device Class IIa



## Material

Silicone, PVC and ABS, phtalates and latex free



## Sterility

Sterility guaranteed for 59 months from the date of sterilization



## Legend

- 1 - One-way irrigation
- 1/2 - Internal and external irrigation without a Y-connector
- 1/2Y - Internal and external irrigation with a Y-connector
- T - Tap to connect a second irrigation line to a second contrangle or to connect an irrigator

*\*All brands mentioned are registered and owned by the producers.*

## Alle® irrigation lines details

CE Ref	Type	Model	Pieces
270601	1/2Y	<b>ACTEON - SATELEC:</b> Suni 2000-3000, Suni Max / <b>BLUE ROCKET:</b> BR 3000, BR 4000 / <b>BREUDENT:</b> Sky Unit / <b>CEFLA:</b> Riunito Cefla / <b>HKM:</b> Surgi Set Basic, Surgi Set Pro 500, Dental Surgery Unit, Dental Unit DSC Electronic / <b>GOOF</b>	10
270602	1/2Y	<b>ASTRATECH:</b> Elcomed 100 / <b>W&amp;H:</b> Astratech 100, Elcomed 100, Elcomed 200	10
270603	1/2Y	<b>ATR:</b> PhysioPlus, 3000 Krugg, 3000 New, 3000 Plus / <b>B&amp;B DENTAL:</b> Physiodispenser 3000 / <b>CEFLA:</b> Riunito Cefla, Osseo System / <b>KRUGG:</b> Implant Surgery System / <b>NOBEL BIOCARE:</b> Steri Oss / <b>RTC SISTEMI:</b> Technoimplant / <b>SWEDEN&amp;MARTINA:</b> XO Osseo, Osseo System	10
270604	1	<b>NOUVAG:</b> MD 10, MD 10S, MD 20, SEM 2, SU 100, CBM, MD 7000, MD 8000, TCM 3000 / <b>NOVAXA:</b> Assistant 2	10
270606	1/2Y	<b>DE GIORGI:</b> Intramatic 2, Intramatic Plus, Steril Intraplant / <b>FRIATEC AG:</b> Implantology surgical / <b>TISSIDENTAL:</b> Oral Max System	10
270607	1/2Y	<b>KAVO:</b> INTRAsept 905 / <b>MECTRON:</b> Piezosurgery II, Piezosurgery 3	10
270609	1/2Y	<b>ASEPTICO:</b> AEU 260S, AEU-17Bv2, AEU-6000-70V, AEU-7000E-70V, AEU-7000L-70V, AEU-707Av2 / <b>BONART:</b> Piezo Surgical System / <b>INTRA-LOCK:</b> Delfin / <b>KYOCERA:</b> Implantor Neo <b>NSK:</b> Surgic Pro, Surgic XT, Surgic XT Plus, Variosurg, Osseocision / <b>SAEYANG:</b> Ki-20 / <b>STRAUMANN:</b> Surgical Pro 230V / <b>SWEDEN&amp;MARTINA:</b> Impla 6000	10
270610	1/2Y T	<b>3I:</b> Implantmed / <b>ASTRATECH:</b> Implant Med SI 923 I / <b>BTI:</b> Drill Tech / <b>DENTIUM:</b> iCTmotor / <b>NOBEL BIOCARE:</b> Osseoset 100, Osseoset 200 SI-915, Osseoset SI-923, OsseoCare / <b>W&amp;H:</b> Elcomed SA-310, Implantmed, Implantmed SI923, Implantmed New Design, DU 900, Piezomed, Surgical Motor System, Frios Unit S, Frios Unit S/i, Drilltech	10
270613	1	<b>ANTHOGYR:</b> Implanteo, Implanteo Led	10
270616	1/2Y T	<b>DENTSPLY:</b> Frios Unit E / <b>W&amp;H:</b> Elcomed SA-200C	10
270617	1/2Y	<b>KAVO:</b> INTRAsurg 300/500, INTRAsurg 300 Plus, INTRAsurg 1000, INTRAsurg 1000 Air	10
270618	1/2Y	<b>BIEN AIR:</b> Chiropro 980, Osseo Doc / <b>BIOSAFIN:</b> Easy Surgery, MyTUTOR / <b>CEFLA:</b> Riunito Cefla / <b>EMS:</b> Piezon Master Surgery / <b>ESACROM:</b> Surgysonic I, Surgysonic II, Surgysonic Moto / <b>IDI EVOLUTION:</b> TMM2 / <b>PLANMECA:</b> Riunito Planmecca / <b>SILFRADENT:</b> Acrobone, Easybone 4, Surgybhone / <b>SYMPLA:</b> Prosurgy / <b>SWEDEN&amp;MARTINA:</b> Spin, Heracle / <b>UBS:</b> Ultrasonic Bone Surgery	10
270621	1	<b>KAVO:</b> MASTERsurg, EXPERTsurg	10
270624	1	<b>MECTRON:</b> Piezosurgery Touch, Piezosurgery White	10
270634	1/2Y	<b>BA INTERNATIONAL:</b> Optima Surge OS 500, Optima Surge OS 600L / <b>SAESHIN:</b> Traus SIP 10, X Cube / <b>DE GIORGI:</b> Traus SIP 10, Intrasurgery 2	10
Code		Model	Pieces
270626		Tubing extension with luer without piercing pin	10

## Pure irrigation lines details

CE Ref	Type	Model	Pieces
270623	1	<b>3I:</b> Implantmed / <b>ASTRATECH:</b> Implant Med SI 923 I / <b>DENTIUM:</b> iCTmotor / <b>NOBEL BIOCARE:</b> Osseoset 100, Osseoset 200 SI-915, Osseoset SI-923, OsseoCare / <b>W&amp;H:</b> Elcomed SA-310, Implantmed, Implantmed SI923, Implantmed New Design, DU 900, Piezomed, Surgical Motor System, Frios Unit S, Frios Unit S/i, Drilltech	10
270625	1	<b>ASEPTICO:</b> AEU 260S, AEU-17Bv2, AEU-6000-70V, AEU-7000E-70V, AEU-7000L-70V, AEU-707Av2 / <b>BONART:</b> Piezo Surgical System / <b>INTRA-LOCK:</b> Delfin / <b>KYOCERA:</b> Implantor Neo / <b>SAEYANG:</b> Ki-20 / <b>NSK:</b> Surgic Pro, Surgic XT, Surgic XT Plus, Variosurg, Osseocision	10

# Manual irrigation line

A manual irrigation system with a button-based flow regulator that enables assistants to keep the implant site clean and cool. The system is also suitable for irrigation during the final fixation of implants using a dental torque wrench.



## Classification

Medical Device Class IIa



## Material

PVC, phtalates and latex free



## Sterility

Sterility guaranteed for 59 months from the date of sterilization



CE Ref	Pieces
270630	5

# 10 excellent reasons to choose the Euronda Alle<sup>®</sup> irrigation lines

- 1 Versatile**  
Ideal for internal one-way Irrigation, with the possibility of internal and external irrigation.
- 2 Compatible**  
With the most common physiodispenser models and mechanised systems.
- 3 Packaging**  
Packed individually in sterile blister packs.
- 4 Traceable**  
Double adhesive label provided for maximum traceability.
- 5 Guaranteed**  
Alle<sup>®</sup> products guarantee you all the reliability, functionality and quality of the Euronda brand. The highest quality standards on the market.
- 6 Sterility**  
Sterilised with ethylene oxide, following a scrupulous process compliant with the regulations in force regarding residue.
- 7 Free from latex and phthalates**  
For complete respect for patients' health and the environment.
- 8 59-months validity**  
The sterility of the Euronda Alle<sup>®</sup> irrigation lines is valid for 59 months.
- 9 Quality**  
The Alle<sup>®</sup> line offers the highest quality standards on the market, with no compromises.
- 10 Complete**  
Equipped with an "open/close" perforator with cap, air filter and silicone final tip to facilitate insertion.



# Alle<sup>®</sup> aspiration systems

These provide accurate aspiration

A selection of aspiration products recommended for all surgical procedures that require accurate aspiration without compromising visibility in the operating field.

# Surgical aspirators

Practical, light and manageable during long sessions of surgery. A special no-ply adaptor prevents the connectors from accidentally bending or twisting. They can be connected to dental chairs or central systems. Yankauer aspirator tip available with 2,5 mm openings.



## Classification

Medical Device Class IIa



## Material

PVC



## Size

220 cm - without tip  
250 cm + tip 26 cm - with  
Yankauer aspirator tip



## Sterility

Sterility guaranteed for  
59 months from the date of  
sterilization

Code	Model	Pieces
270650	Without aspirator tip	10
270651	With Yankauer aspirator tip	10

# Surgical aspirator tip

Sterile surgical aspirator tip, available with 2,5 mm with tip and 4,8 mm without the light blue tip. PVC adaptors included (1,1 cm and 1,6 cm).



## Classification

Medical Device Class IIa



## Material

PVC



## Size

20,5 cm  
18 cm - without tip



## Sterility

Sterility guaranteed for  
59 months from the date  
of sterilization

Code	Pieces
270644	20

# EM40 aspirator tips

Euronda | Monoart®

Universal moulded tip for surgical aspirator.  
Can be sterilised in autoclave at 134°C. Practical and safe adapter for EM40 aspirator tips available, can be used to adapt from an inlet with a diameter of 1,6 cm to an outlet with a diameter of 1,1 cm. It can be sterilised in an autoclave at 134°.



## Classification

Medical Device Class IIa



## Size

Connection diameter: 1,1 cm  
Length: 20 cm



## CE Ref

Monoart® Cannula EM40,  
EM40 Aspirator Tip, EM40  
Absaugkanüle

Monoart® Adattatore  
per Cannula, Adapter for  
Aspirator Tip, Adapter für  
Absaugkanüle

Code	Model	Pieces
22910110	EM40	10
230002	Adapter	10

# EM19 and EM21 aspirator tips

Euronda | Monoart®

Monoart® aspirator tips are manufactured in Italy and are available in 2 different sizes and models: EM19 (length 11,4 cm) and EM21 (length 12,9 cm). Ergonomic non-slip grip that makes the operator's work easier while their rounded shape and compact size ensure a high degree of patient comfort.



## Classification

Medical Device Class IIa



## Size

Connection diameter: 1,6 cm  
EM19 length: 11,4 cm  
EM21 length: 12,9 cm



## CE Ref

Monoart® EM19  
Monoart® EM21

Code	Model	Pieces
22930001	EM19	10
22931001	EM21	10



# Other products

Useful components  
to support activities

All of Euronda's safety and experience in a selection of disposable products used for everyday dental and sterilization procedures. These products are highly tested and stand out due to their high-quality materials, efficiency, safety and effectiveness.

Thanks to its unique formulation, Monoart® instant ice pack guarantees better quality and longer lasting cold. The small size and compact packaging facilitate topical use and provide the perfect concentration of cold in the area to be treated. The pouch is made of a special cellulose that improves tactile sensitivity and feels pleasant on the patient's skin. Manufactured in Italy on automated hands-free production lines to the highest standards of quality and safety.



### Classification

Medical Device Class IIa



### Size

15 x 17,5 cm



### Shelf life

5 years



### CE Ref

Monoart® Ghiaccio Istantaneo, Instant Ice, Kältekomresse

Code	Pieces
23230020	24

# Sterilization rolls

Eurosteril® sterilization rolls are produced in Italy with the best certified materials: high grammage medical paper (60 g/m<sup>2</sup>) and a double layer of polyethylene/polypropylene film. State-of-the-art processes ensure: a constant seal during sterilization; extreme ease of opening without fibre release or tearing; proper maintenance of sterility. Coloured chemical indicators signal at a glance that sterilization has taken place.



## Classification

Medical Device Class I in compliance with MDR (EU) 2017/745 and EN 868-5



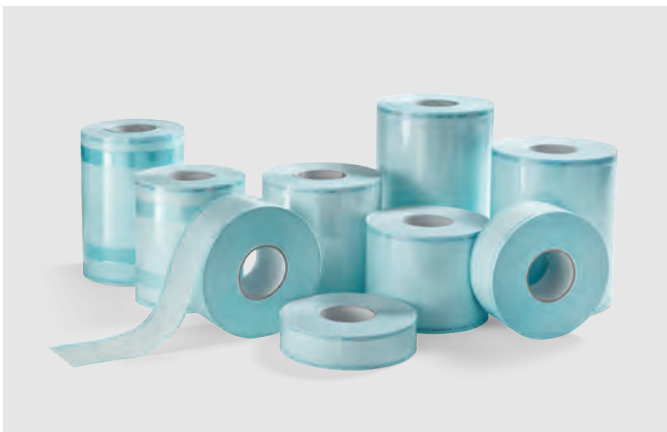
## CE Ref

EUROSTERIL® ROTOLI PER STERILIZZAZIONE, STERILIZATION ROLLS, STERILISATIONS ROLLEN



## Sterility

6 months sterility from the date of production in ideal storage conditions and subject to validation of the sterilization and sealing process



Code	Size	Pieces
20410591	5 cm x 200 m	8
20410352	7,5 cm x 200 m	5
20410353	10 cm x 200 m	4
20410354	15 cm x 200 m	2
20410356	20 cm x 200 m	2
20410357	25 cm x 200 m	1
20410358	30 cm x 200 m	1
20410590	40 cm x 200 m	1
20410355	gusseted 20 x 5 cm - length 100 m	2
20450036	gusseted 25 x 5 cm - length 100 m	1
20410359	gusseted 25 x 6,5 cm - length 100 m	1

# Sterilization pouches

Heat-sealable pouches made of white medical paper with high grammage (60g/m<sup>2</sup>) and double layer of blue polyethylene/polypropylene film. Three uniform, waterproof side channel seals for maximum microbial protection. Equipped with chemical indicators for steam or EO gas (ethylene oxide) sterilization. Optimum peelability without the release of paper fibres or tears to the film when opening the packaging. Product made in Italy.



## Classification

Medical Device Class I in compliance with MDR (EU) 2017/745 and EN 868-5



## CE Ref

EUROSTERIL® BUSTE PER STERILIZZAZIONE, STERILIZATION POUCHES, STERILISATIONS BEUTEL



## Sterility

6 months sterility from the date of production in ideal storage conditions and subject to validation of the sterilization and sealing process



Code	Size	Pieces
20310655	5 x 25 cm	500
20310622	7,5 x 25 cm	500
20310623	10 x 25 cm	500

# Self-adhesive sterilization pouches

The same materials and technical features as the thermal-welding sterilization pouches, with the addition of a practical synthetic rubber adhesive band and closing fold.



## Classification

Medical Device Class I in compliance with MDR (EU) 2017/745 and EN 868-5



## CE Ref

EUROSTERIL® BUSTE PER STERILIZZAZIONE AUTOSIGILLANTI, SELF ADHESIVE STERILIZATION POUCHES, STERILISATIONSBEUTEL SELBSTKLEBEND



## Sterility

6 months sterility from the date of production in ideal storage conditions and subject to validation of the sterilization and sealing process



Code	Size	Pieces
20210709	9 x 25 cm	200
20210714	14 x 26 cm	200
20210719	19 x 33 cm	200

# Helix test

Euronda | Pro System®

Test for Class B autoclaves to evaluate the capacity of penetration of the steam in hollow loads. Composed of a tube and 250 colour testers to confirm sterilization.



Code	Pieces
242005	1

# Bowie & Dick test

Euronda | Pro System®

Test for Class B autoclaves to evaluate the penetration efficiency in porous loads.



Code	Pieces
243001	10

# Prion test

Test for Class B autoclaves, calibrated with the temperature, time and pressure parameters considered effective in 134°C Prion sterilization cycles (134°C x 18 minutes). Composed of 200 colour testers.



Code	Pieces
242004	1

## **Euronada Spa® 2022**

This catalogue cannot be copied, scanned or reproduced by any means. All rights reserved.

Picture, description, quoting, dimension and technical data have to be considered as purely indicative.

While maintaining the basic characteristics of the product, the manufacturer reserves the right to make modifications at any time with the sole aim of improvement.

## **Euronda Spa**

Via Chizzalunga 1  
36066 Sandrigo  
Vicenza, Italy  
**t** (+39) 0444 656111  
**f** (+39) 0444 656199  
**m** info@euronda.com  
**www.euronda.it**

## **Deutschland**

Euronda Deutschland  
Am Landwehrbach 5  
48341 Altenberge, Deutschland  
**t** (+49) 2505 9389 0  
**f** (+49) 2505 9389 29  
**m** info@euronda.de  
**www.euronda.de**

## **France**

Euronda France Eurl  
ZAC les Vallées, Avenue de Bruxelles  
60110 Amblainville, France  
**t** + 33 (0) 3 44 06 69 70  
**f** + 33 (0) 3 44 02 03 89  
**m** info@euronda.fr  
**www.euronda.fr**

## **España**

Identyd, Calle Músico  
Antonio Rodríguez de Hita, 12  
Bajo 30007 Murcia  
**t** 900102034  
**m** info@euronda.es  
**www.euronda.es**

## **Russia**

OOO Euronda Russia  
193149 Leningradsakaya obl.,  
Vsevolozhsky r-on,  
d. Novosaratovka, ul.  
Pokrovskaya, dom 41, litera B. Russia  
**t** + 7 (812) 635 88 94  
**m** info@eurondarussia.com  
**www.eurondarussia.com**

# **Euronda<sup>®</sup>**